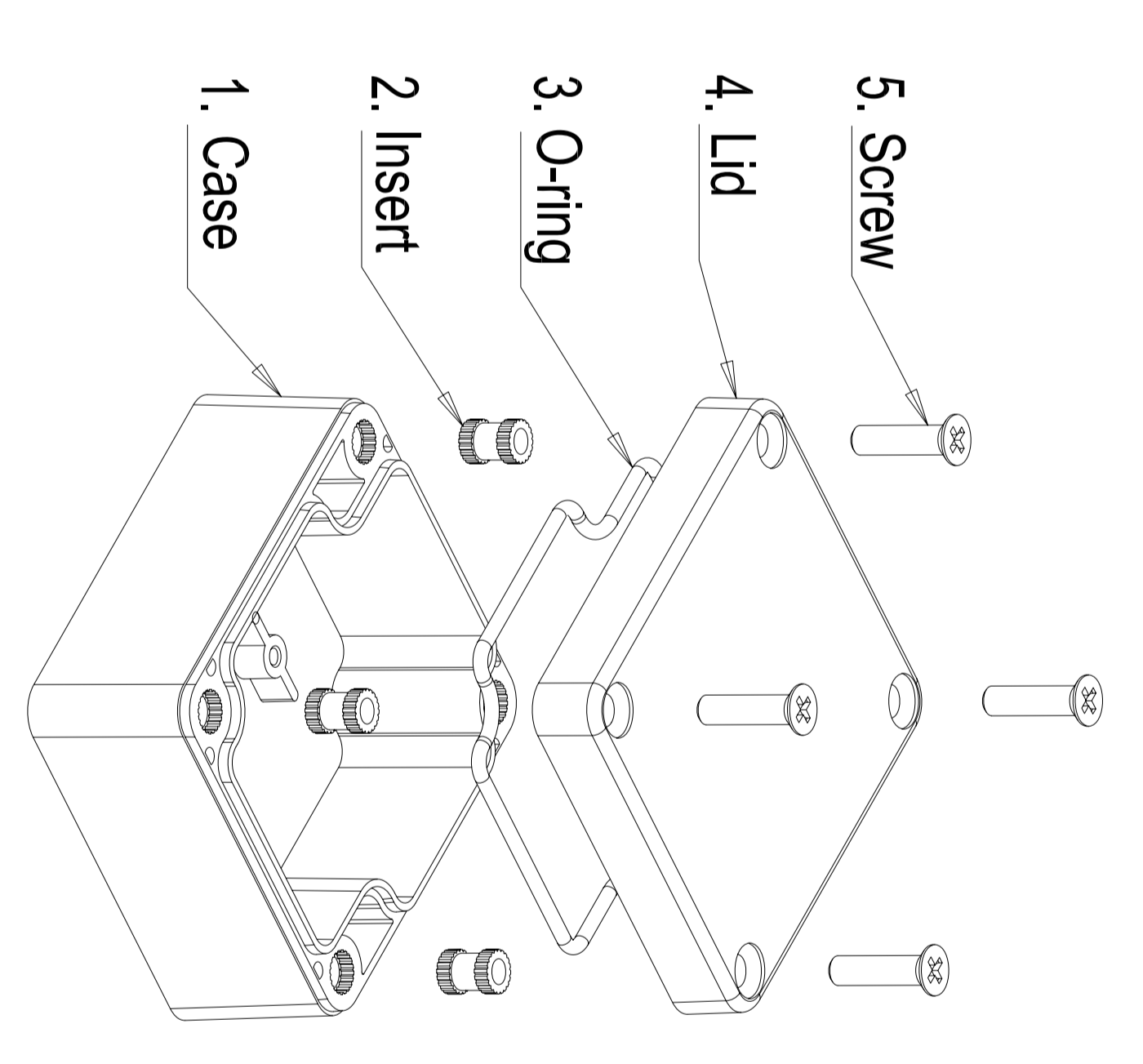


NOTICE
 1. * Measures are reduced to below because the draft tolerance after GTA13/5 DIN16901-130;
 2. Unmarked Draft 2°.



No.	Name	Qty.	Size	Material
5	Screw	4	M4X20 (DIN 965)	Stainless Steel
4	Lid	1	65X60X10	ABS
3	O-ring	1	Ø3X230	PU
2	Insert	4	M4X8	Brass
1	Case	1	65X60X26.5	ABS

Scale: Free
 Original Material: ABS
 Chinese Material: ABS
 Volume: mm³
 Weight: 0.055 Kg
 Tolerances: DIN16901 - 130

Index (Customer)
 REV
 Name
 Date

Index (FUXIN)
 REV
 Name
 Date



Metal Processing Co., Ltd

Part Name :

FUP 065 X 060 X 035

Drawing Number :

FUP 065 X 060 X 035

Designer: Liu Junbin
 Date: 2009.12.17
 Technician Quality department
 Sheet 1 of 1