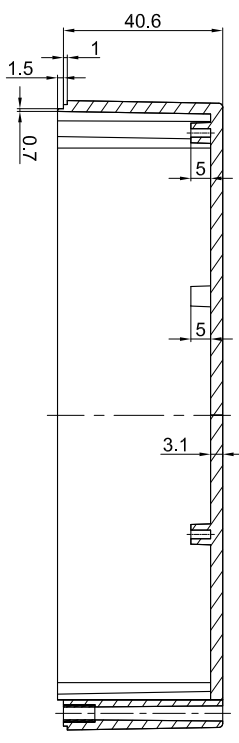
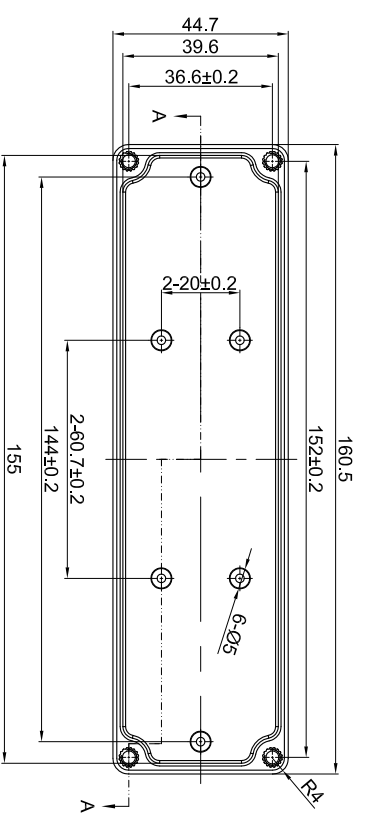
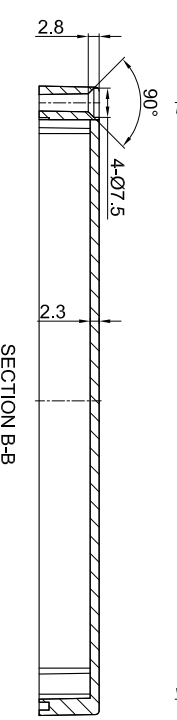
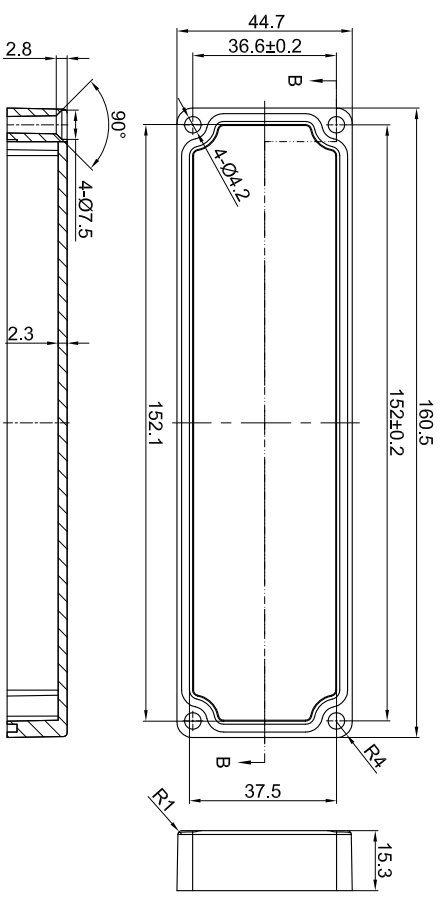
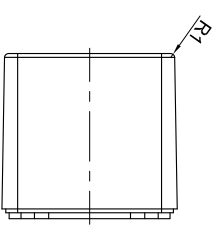


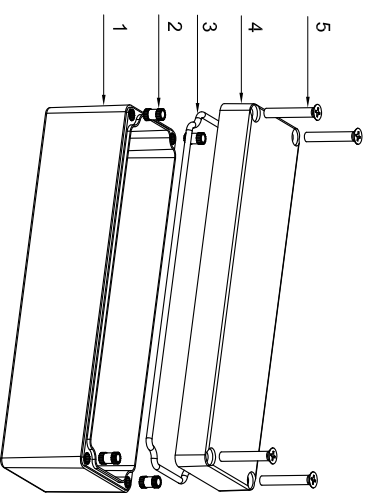
>	0	1	3	6	10	15	22	30	40	53	70	90	120	160	200	250	315	400
<	1	3	6	10	15	22	30	40	53	70	90	120	160	200	250	315	400	500
公差	±0.08	±0.09	±0.10	±0.11	±0.13	±0.15	±0.17	±0.20	±0.24	±0.28	±0.34	±0.41	±0.50	±0.60	±0.80	±1.00	±1.20	±1.50
表面	±0.18	±0.19	±0.20	±0.21	±0.23	±0.25	±0.27	±0.30	±0.34	±0.38	±0.44	±0.51	±0.60	±0.70	±0.90	±1.10	±1.30	±1.60



SECTION A-A



SECTION B-B



No.	Name	Qty	Size	Material
5	Screw	4	M4X25	Stainless Steel
4	Lid	1	160.5X44.7X15.3	ABS
3	O-ring	1	Ø2.5X3.6	PU
2	Insert	4	M4X8	Brass
1	Case	1	160.5X44.7X40.6	ABS

Volume:	106	mm ³
Weight:	106	g

Scale: 1:1
 Original Material: ABS
 Chinese Material: ABS
 Part Name: FUP-160X45X55
 Drawing Number: FUP-160X45X55

Designer	DG	2012.08.24
Technician		
Quality department		
Sheet	1	of 1

NOTICE
 1. * Measures are reduced to below because the draft tolerance after DIN16901-1-30 ;
 2. Unmarked Draft 1° ;
 3. Unmarked Dimension after 3D model.

Index (Customer)	REV	Name	Date	Index (FUXIN)	REV	Name	Date

FUXIN
 FUXIN Metal Processing Co., Ltd
 No. 718 South Andong Road
 201402 Shanghai
 Tel: +86-21-5757 6471*836
 Fax: +86-21-5757 0161
 E-mail: FUXINSH@online.sh.cn
 http://www.fuxinsh.net