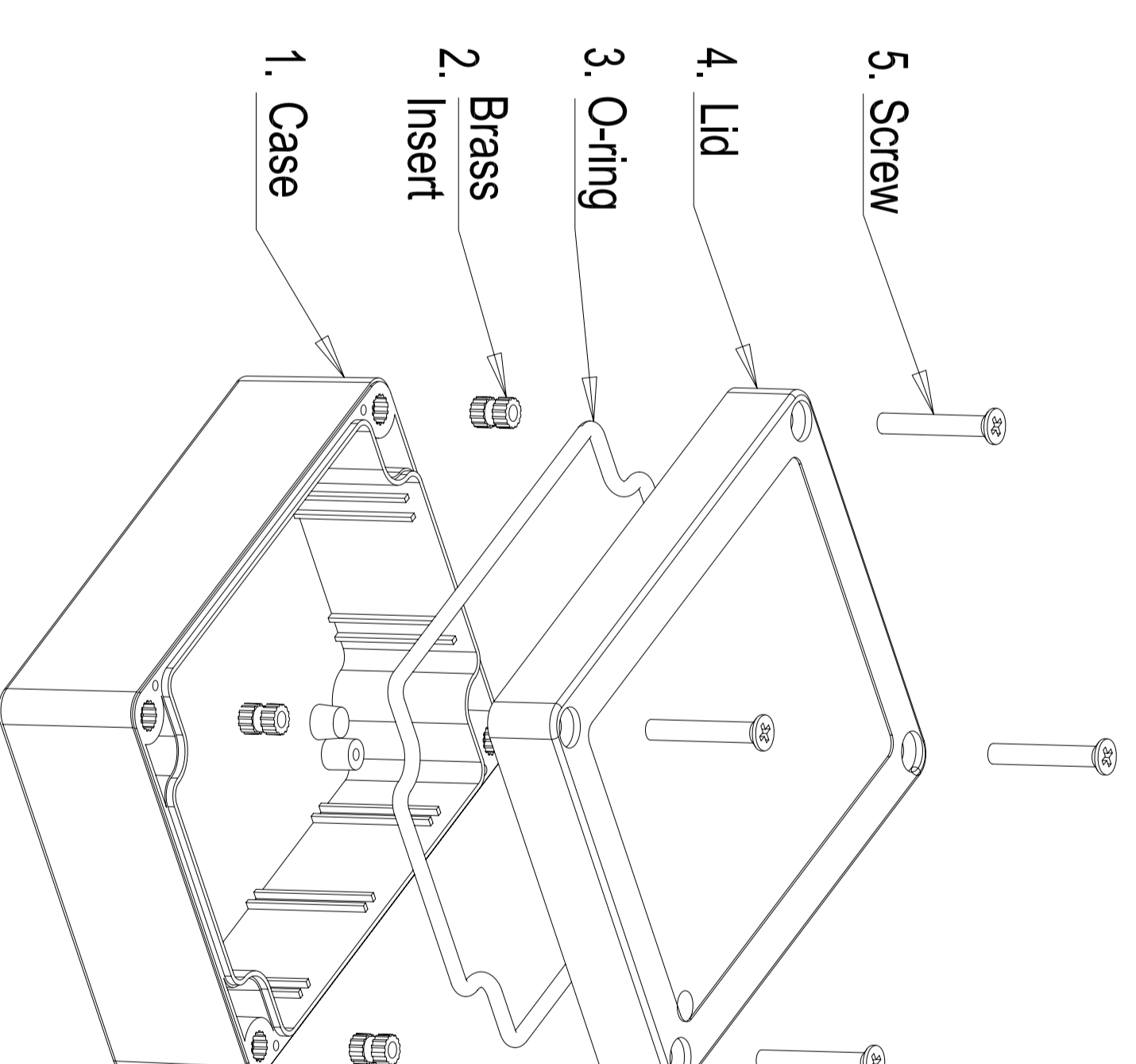


NOTICE

1. * Measures are reduced to below because the draft tolerance after GTA13/5 DIN16901-130;

2. Unmarked Draft 2°.



No.	Name	Qty.	Size	Material
5	Screw	4	M4X20 (DIN 965)	Stainless Steel
4	Lid	1	115X90X15	ABS
3	O-ring	1	Ø3X400	PU
2	Insert	4	M4X8	Brass
1	Case	1	115X90X33.5	ABS

Scale: Free
 Volume: mm³
 Weight: 0.126 Kg
 Original Material: ABS
 Chinese Material: ABS
 Tolerances: DIN16901 - 130

Treatment:

Index (Customer)

REV

Name

Date

Index (FUXIN)

REV

Name

Date

Part Name :
FUP 115 X 090 X 046

Drawing Number :
FUP 115 X 090 X 046

Designer
 Technician
 Quality
 department

Liu Junbin

2009.12.15

Sheet
 of
 1/1

Metal Processing Co., Ltd